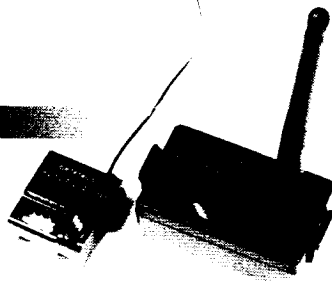


# DSSS 2.4GHz

## Module and Receiver Manual

Thank you for purchasing your new DSSS Module and Receiver. The DSSS Module and Receiver are to be used in a Airtronics M8, M11, Super EXZES and Super EXZES Plus. DO NOT try to use the DSSS Module or Receiver in any other radio system. Please read this manual completely before installing and or using it. Always keep this manual to use as a reference.

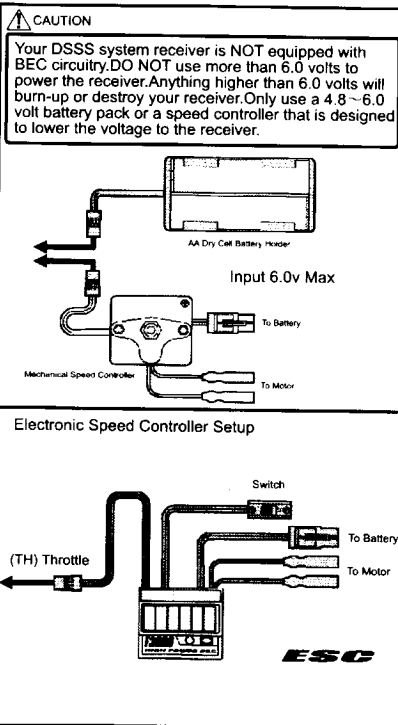
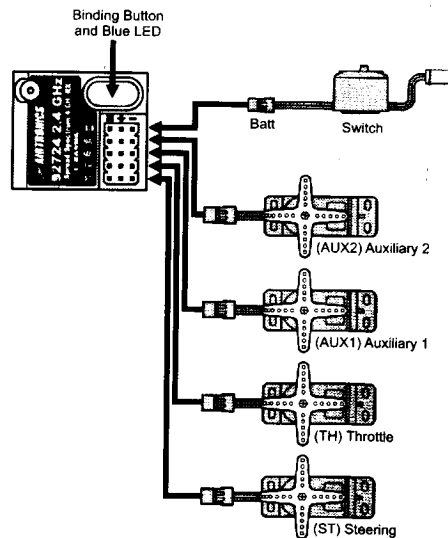


### SERVO CONNECTIONS

Install your DSSS Receiver as far away from any electrical components as possible. Route the antenna through a plastic tube so that it is in the upright position. With the receiver power switch in the off position, insert the servos and or ESC as shown in the illustration below

#### CAUTION

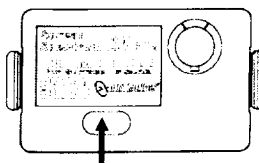
When installing your DSSS in your model, always make sure to set your model on a stand so the wheels are free from any traction before turning on your radio and or connecting your motor for the first time.



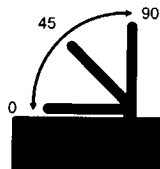
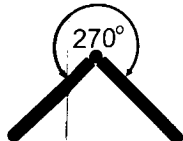
### DSSS MODULE

Before installing your DSSS Module, make sure the power switch is in the OFF position. Read the following instructions first before turning the power switch to the ON position on the transmitter.

The DSSS Module antenna can be rotated 270° left or right and has 3 positions up and down. Adjust the DSSS Module antenna to your preference.



Binding Button and Blue LED



### BINDING (RECEIVER to TRANSMITTER)

After installing the DSSS Receiver and Module, you are now ready to Bind them together. Binding is the process that will match the DSSS Receiver to the DSSS Module electronically as a match set. You can Bind additional Airtronics DSSS Receivers to your DSSS Module to operate many other cars, trucks and or boats.

Throttle Fail Safe is a feature that will move the throttle servo to a preset position that you set. If no user preset is added, the Fail Safe will set it-self to the neutral throttle position.

#### BINDING:

1. Turn the power switch to the ON position on the Transmitter. The DSSS Module LED will turn on after 6 seconds.
2. Depress and hold the DSSS Receiver Binding button.
3. Turn the power switch to the ON position on the DSSS Receiver and continue holding the Binding button. The DSSS Receiver LED will flash slowly.
4. Release the Binding button on the DSSS Receiver after 2 seconds.
5. Depress and hold the Binding button on the transmitter until the LED on the DSSS Receiver flashes rapidly.
6. Binding is now complete. Both DSSS Module and Receiver LED will now stay on.
7. Operate the controls to confirm.

### THROTTLE FAIL SAFE

After binding of the DSSS Module and Receiver, you can set the Throttle Fail Safe feature.

1. Turn the power switch to the ON position on the transmitter. Confirm DSSS Module LED is on.
2. Turn the power switch to the ON position on the DSSS Receiver. Confirm DSSS Receiver LED is on.
3. Move controls to confirm connection between transmitter and receiver.
4. Move throttle lever to your desired Fail Safe position and hold.  
NOTE: If the throttle lever is left in the neutral position, Fail Safe will be set at that position.
5. Depress the binding button on the DSSS Receiver for 4 seconds. LED will flash slow
6. Release the throttle lever after the receiver LED starts to flash rapidly.
7. Confirm that the Throttle Fail Safe is working properly by turning the transmitter power switch OFF. Turn the transmitter power switch back on to confirm full control.

### BINDING NOTES

You must rebind and reset Throttle Fail Safe on the DSSS Receiver when:

1. You change your M11 from (2 to 4) or (4 to 2) channels.
2. Install your DSSS Module from a M11 to M8 or M8 to M11.

### WARRANTY

Your Airtronics DSSS Module and DSSS Receiver are warranted for the period of one year from the original date of purchase. When in need of any warranty request, send the item to the address below with a detailed note stating the problem you are having and with a copy of the original sales receipt. Any modifying or abuse of the product will void any warranty.

The DSSS Module and DSSS Receiver are not waterproof. Water damage is not covered under any warranty.

Airtronics, Inc.  
Distributed by Global Hobby Distributors  
18480 Bandilier Circle  
Fountain Valley, CA 92708  
Ph: (714) 963-0329 Fax: (714) 964-6236  
Email: service@globalhobby.net  
Web: http://www.globalhobby.com

